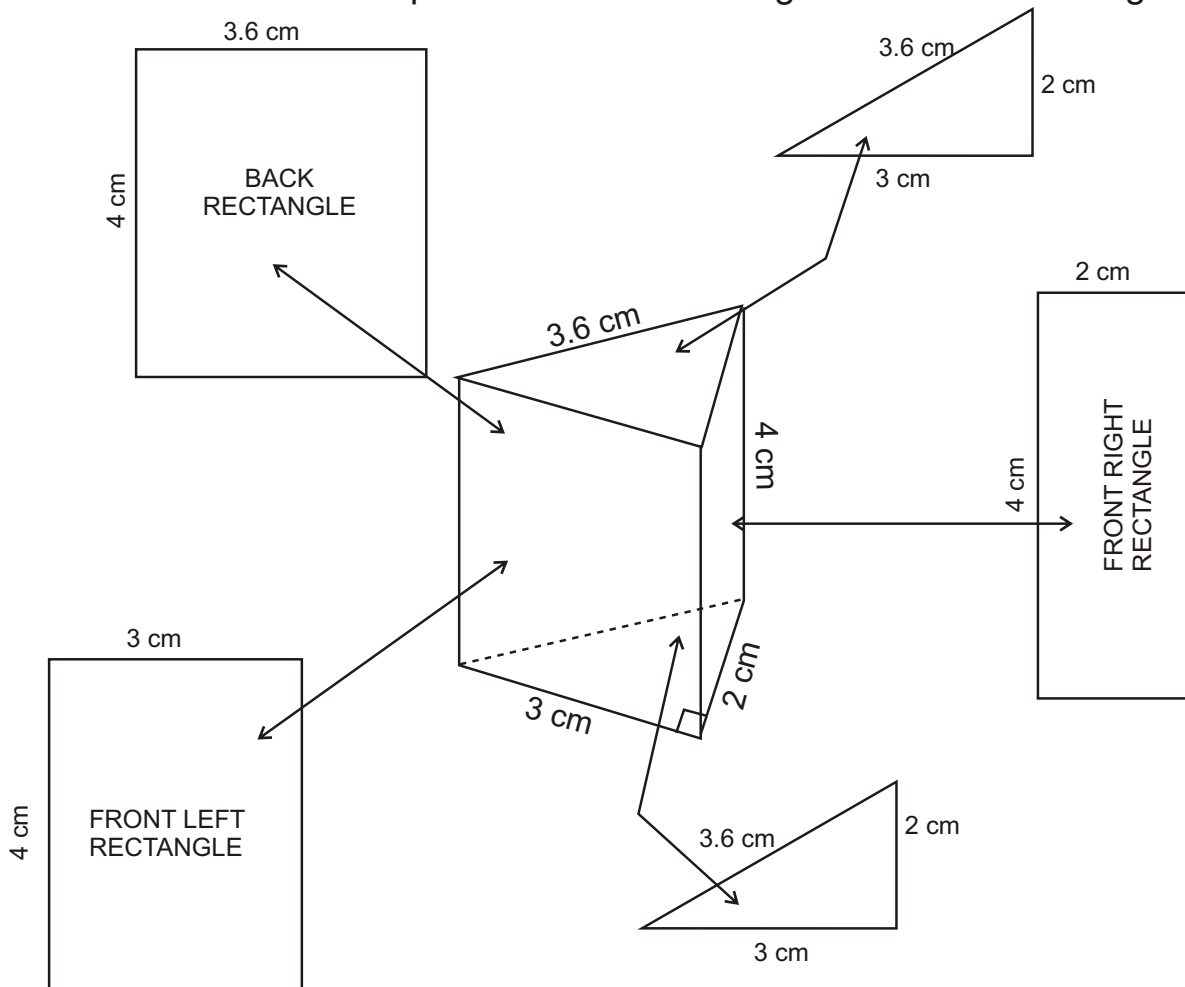


SURFACE AREA TRIANGULAR PRISMS

To find the surface area of a triangular prism, find the area of each of the five faces and then add them up! There are two triangles and three rectangles.



Surface area of a triangular prism = AREA OF BOTH TRIANGLES + AREA OF ALL THREE RECTANGLES

$$2 \left(\frac{1}{2} b \times h \right) + (L \times W) + (L \times W) + (L \times W)$$

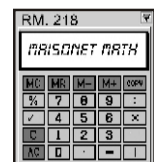
$$2 \left(\frac{1}{2} \times 3 \times 2 \right) + (4 \times 3) + (4 \times 2) + (4 \times 3.6) =$$

$$2 \left(\frac{1}{2} \times 6 \right) + (12) + (8) + (14.4) =$$

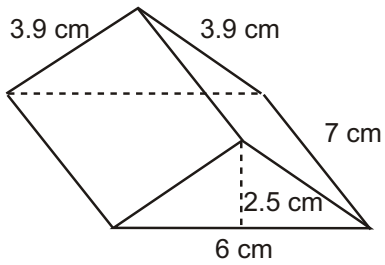
$$2(3) + 12 + 8 + 14.4 =$$

$$6 + 12 + 8 + 14.4 =$$

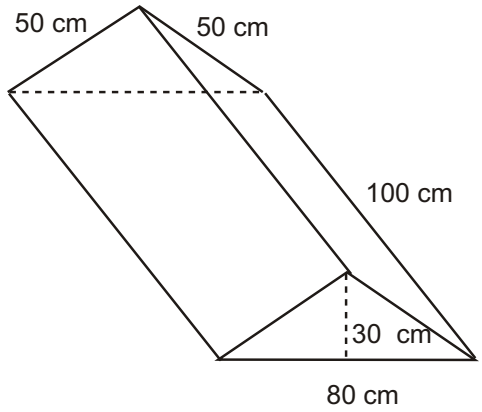
$$\text{S.A.} = 40.4 \text{ cm}^2$$



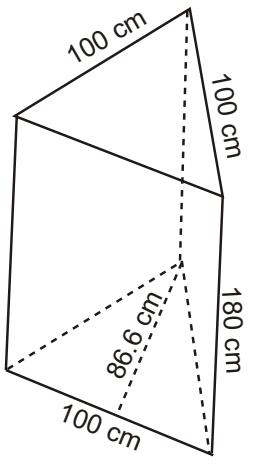
1)



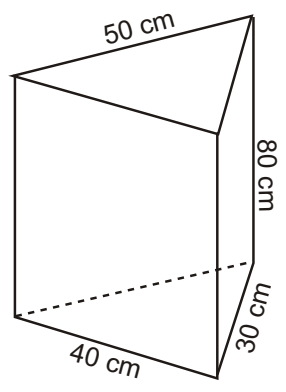
2)



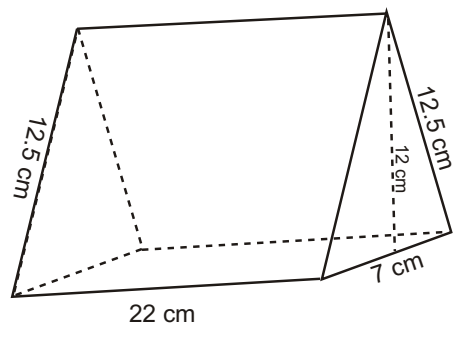
3)



4)



5)



6)

